



2802 WHITE HORSE ROAD
GREENVILLE, SOUTH CAROLINA 29611
(864) 295-0295

PROJECT

INSUL. PANEL TO FOOTING
W/SAND-CEMENT GROUT X CONT.

JOB NO.

STD

DATE

11/17/05

DWN. BY

STAFF

DATE

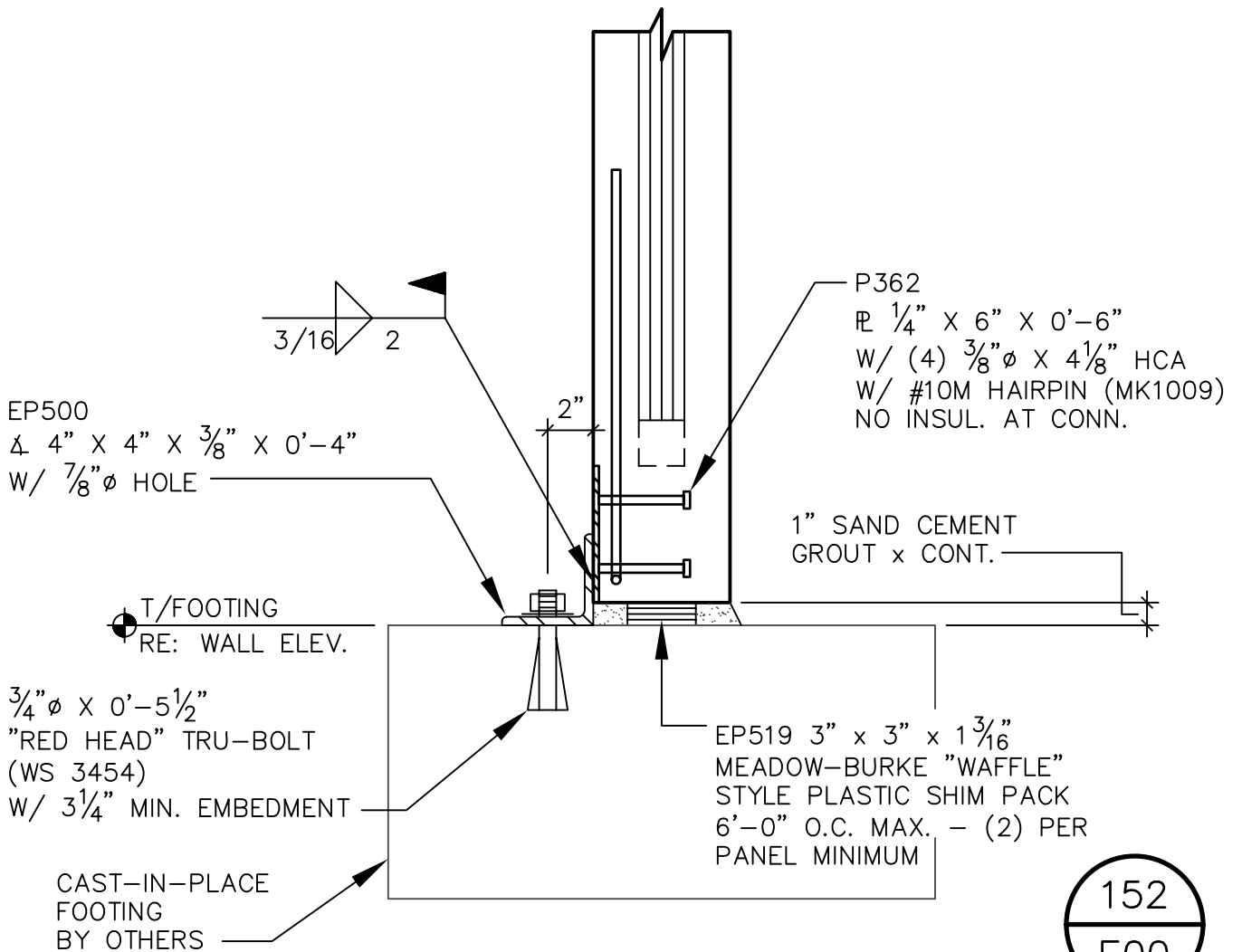
02/17/06

CHK. BY

HAG

SHEET

D0152



152
E00

MPC_8 1/2" x 11" Detail