



2802 WHITE HORSE ROAD  
GREENVILLE, SOUTH CAROLINA 29611  
(864) 295-0295

PROJECT INSUL. PANEL TO FOOTING  
W/SAND-CEMENT GROUT 1'-0" EA. CONN.

JOB NO.

—

DATE

01/04/05

DWN. BY

STAFF

DATE

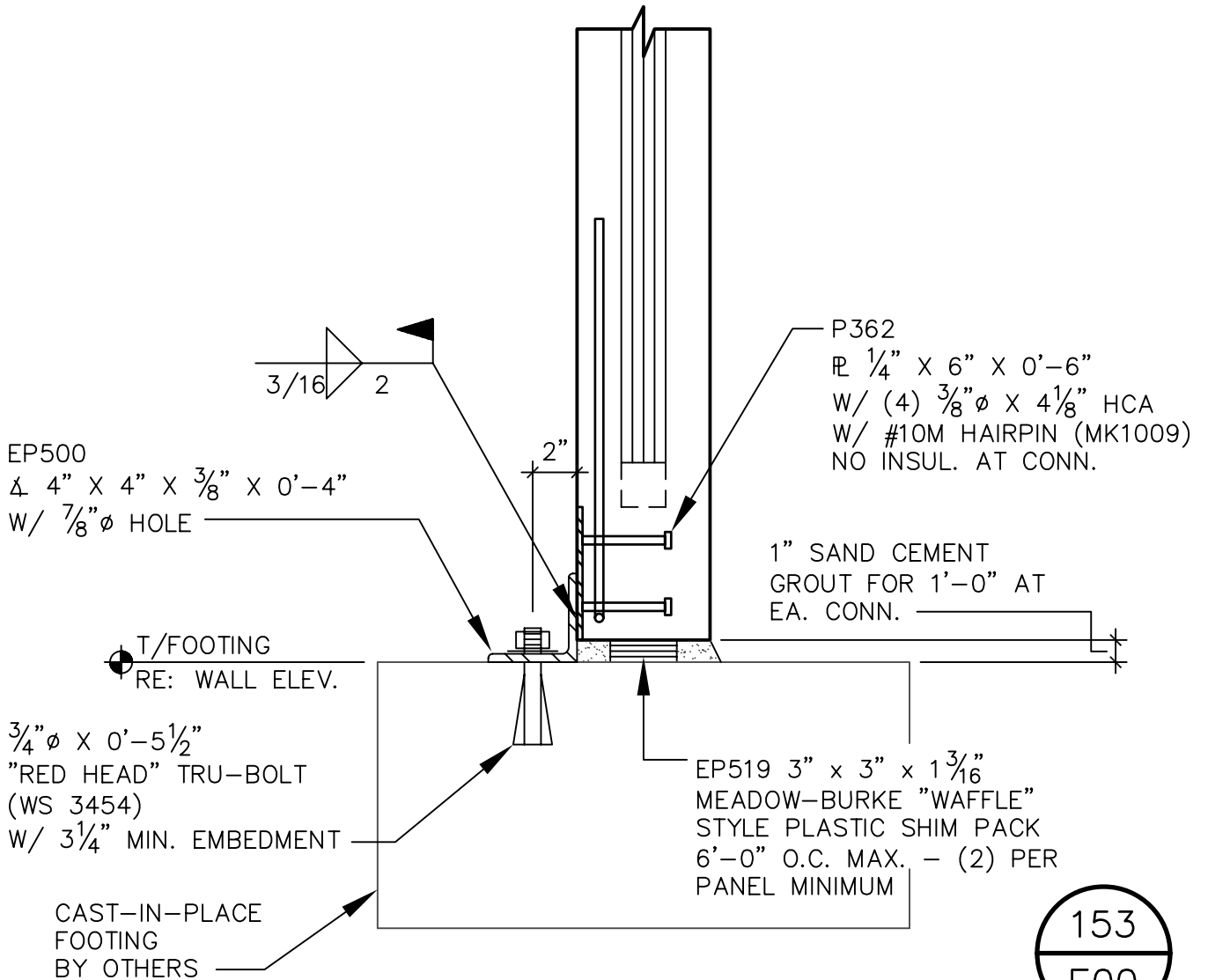
02/17/06

CHK. BY

HAG

SHEET

D0153



153  
E00