



2802 WHITE HORSE ROAD
GREENVILLE, SOUTH CAROLINA 29611
(864) 295-0295

PROJECT SHEARWALL TO FOOTING CONNECTION
W/BARS PROJECTING

JOB NO.
STD

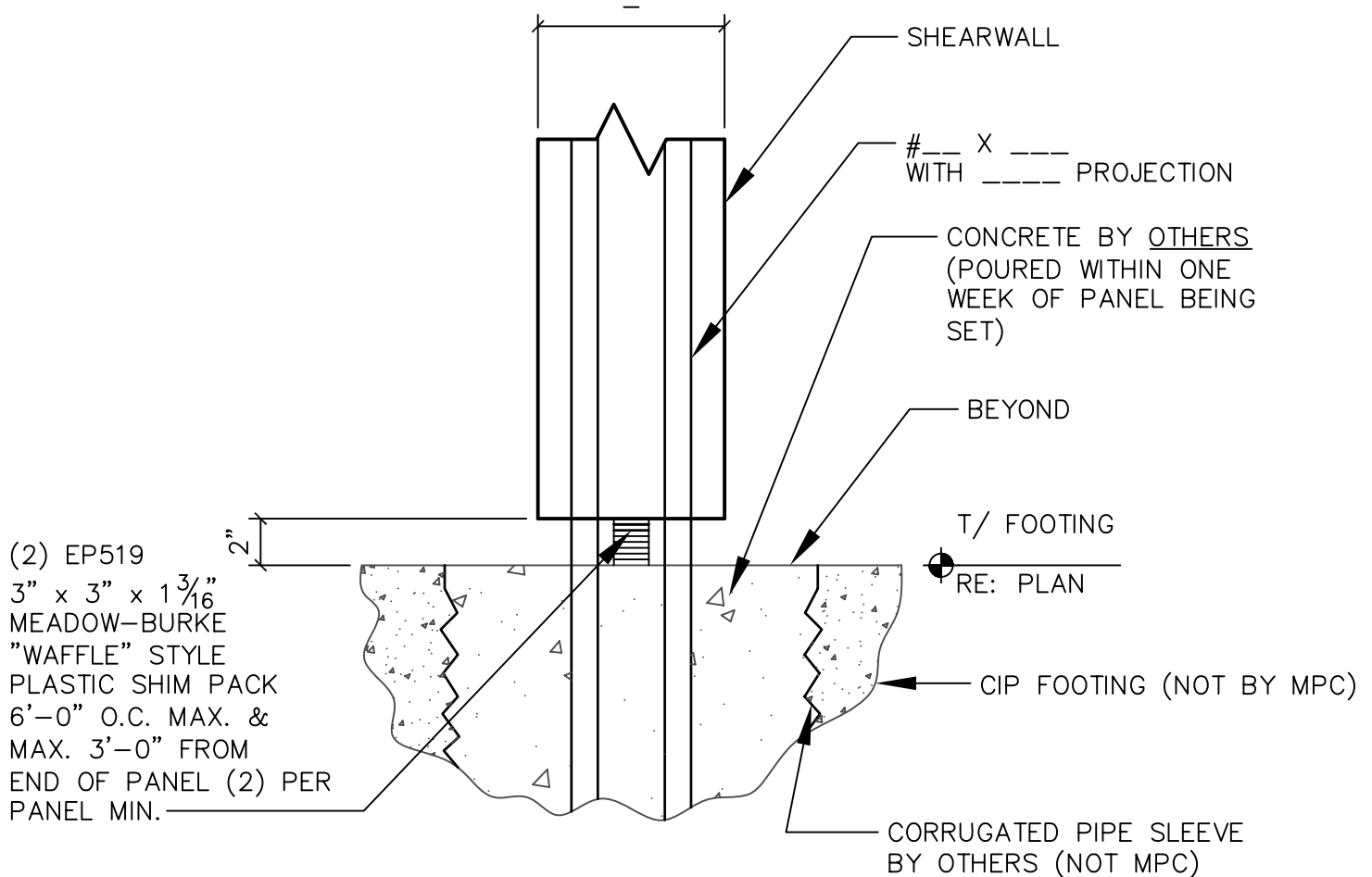
DATE
01/04/05

DWN. BY
STAFF

DATE
02/17/06

CHK. BY
HAG

SHEET
D0252



(ALL INFORMATION TYPICAL EACH SIDE)

SHEARWALL TO FOOTING
FOR HIGH TENSION

252
E00