



2802 WHITE HORSE ROAD
GREENVILLE, SOUTH CAROLINA 29611
(864) 295-0295

PROJECT

PANEL TO PANEL CONNECTION
W/JVI MINI-V

JOB NO.

STD

DATE

01/04/05

DWN. BY

STAFF

DATE

02/17/06

CHK. BY

HAG

SHEET

D0300

FOR 1/2" JOINTS ORDER:

10% EP569 #22M SLUG x 0'-4" (A706)

100% EP572 #25M SLUG x 0'-4" (A706)

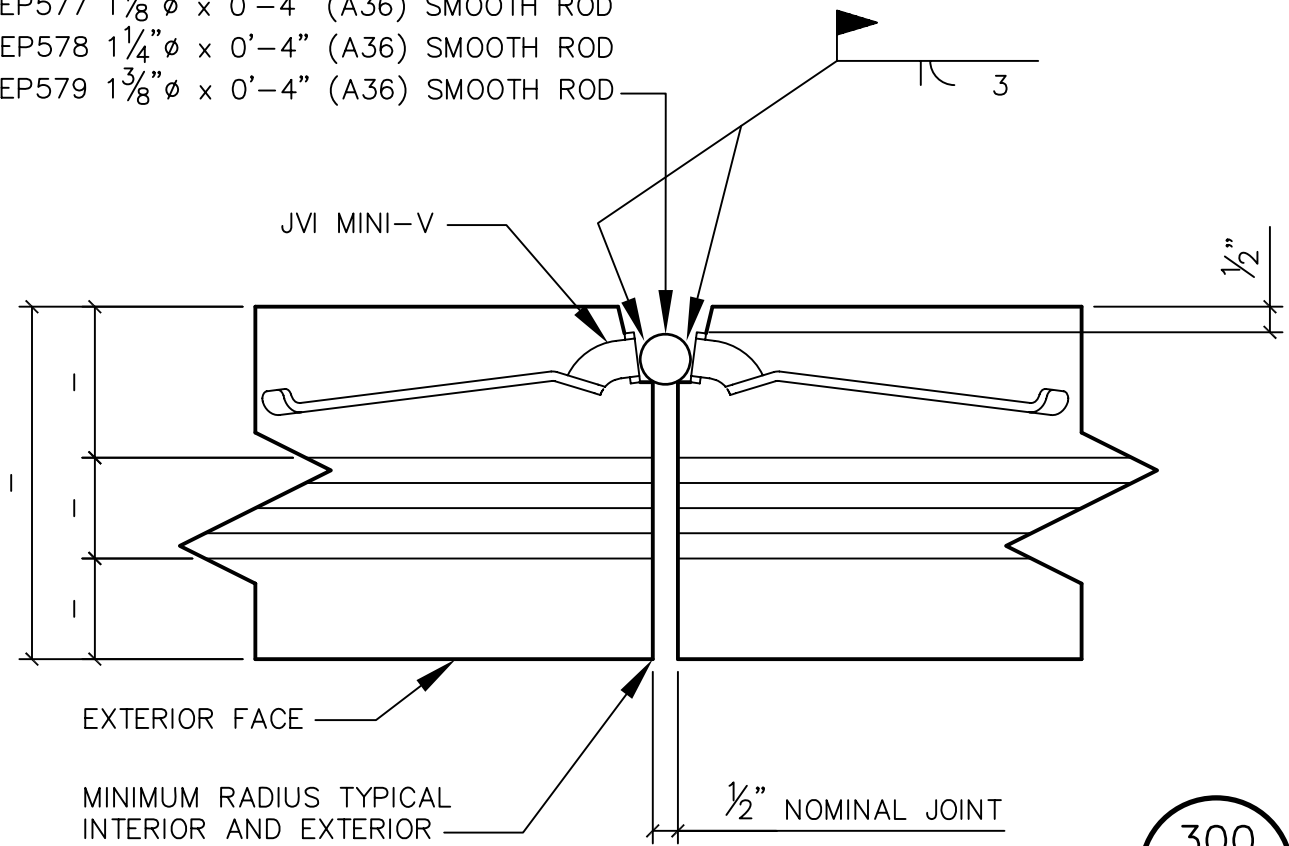
10% EP577 1 1/8" ϕ x 0'-4" (A36) SMOOTH ROD

FOR 3/4" JOINTS ORDER:

10% EP577 1 1/8" ϕ x 0'-4" (A36) SMOOTH ROD

100% EP578 1 1/4" ϕ x 0'-4" (A36) SMOOTH ROD

10% EP579 1 3/8" ϕ x 0'-4" (A36) SMOOTH ROD



300
E00

MPC_8 1/2" x 11" Detail