



2802 WHITE HORSE ROAD
GREENVILLE, SOUTH CAROLINA 29611
(864) 295-0295

PROJECT

HANGING PANEL CONNECTION

JOB NO.

STD

DATE

01/04/05

DWN. BY

STAFF

DATE

02/17/06

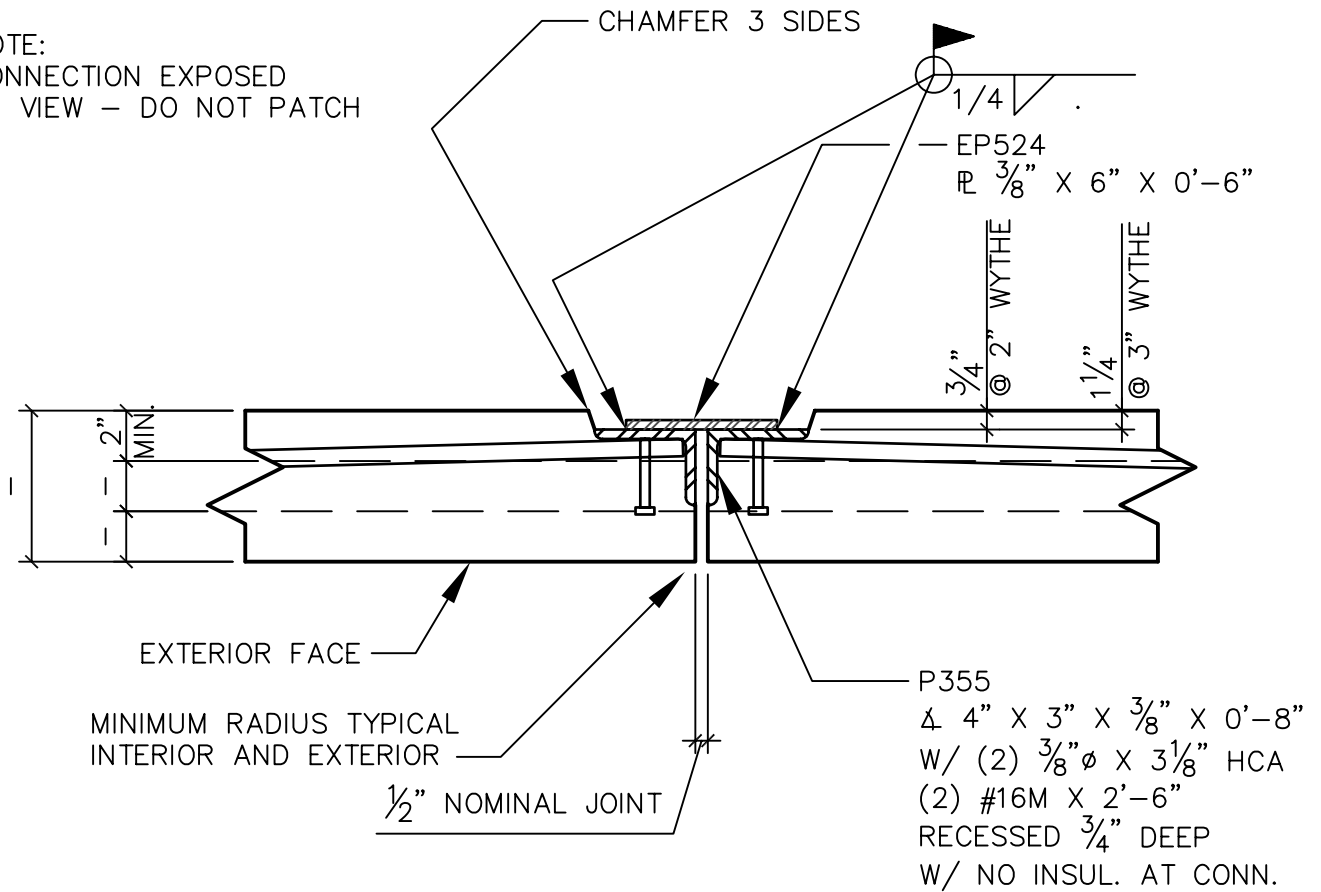
CHK. BY

HAG

SHEET

D0301

NOTE:
CONNECTION EXPOSED
TO VIEW - DO NOT PATCH



301
E00