



2802 WHITE HORSE ROAD  
GREENVILLE, SOUTH CAROLINA 29611  
(864) 295-0295

PROJECT

INSUL CORNER CONNECTION  
W/ANGLE

JOB NO.

STD

DATE

01/04/05

DWN. BY

STAFF

DATE

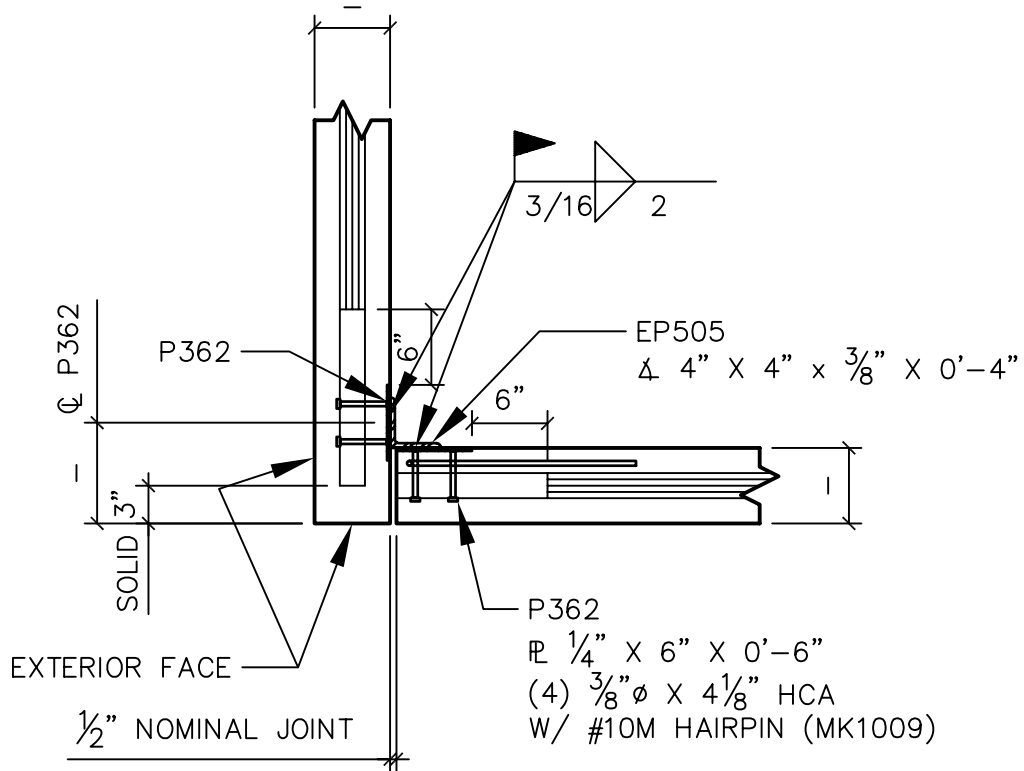
02/17/06

CHK. BY

HAG

SHEET

D0302



302  
E00