



2802 WHITE HORSE ROAD  
GREENVILLE, SOUTH CAROLINA 29611  
(864) 295-0295

PROJECT INSUL CORNER PANEL CONNECTION  
W/JVI MINI-V

JOB NO.  
—

DATE  
7-01-04

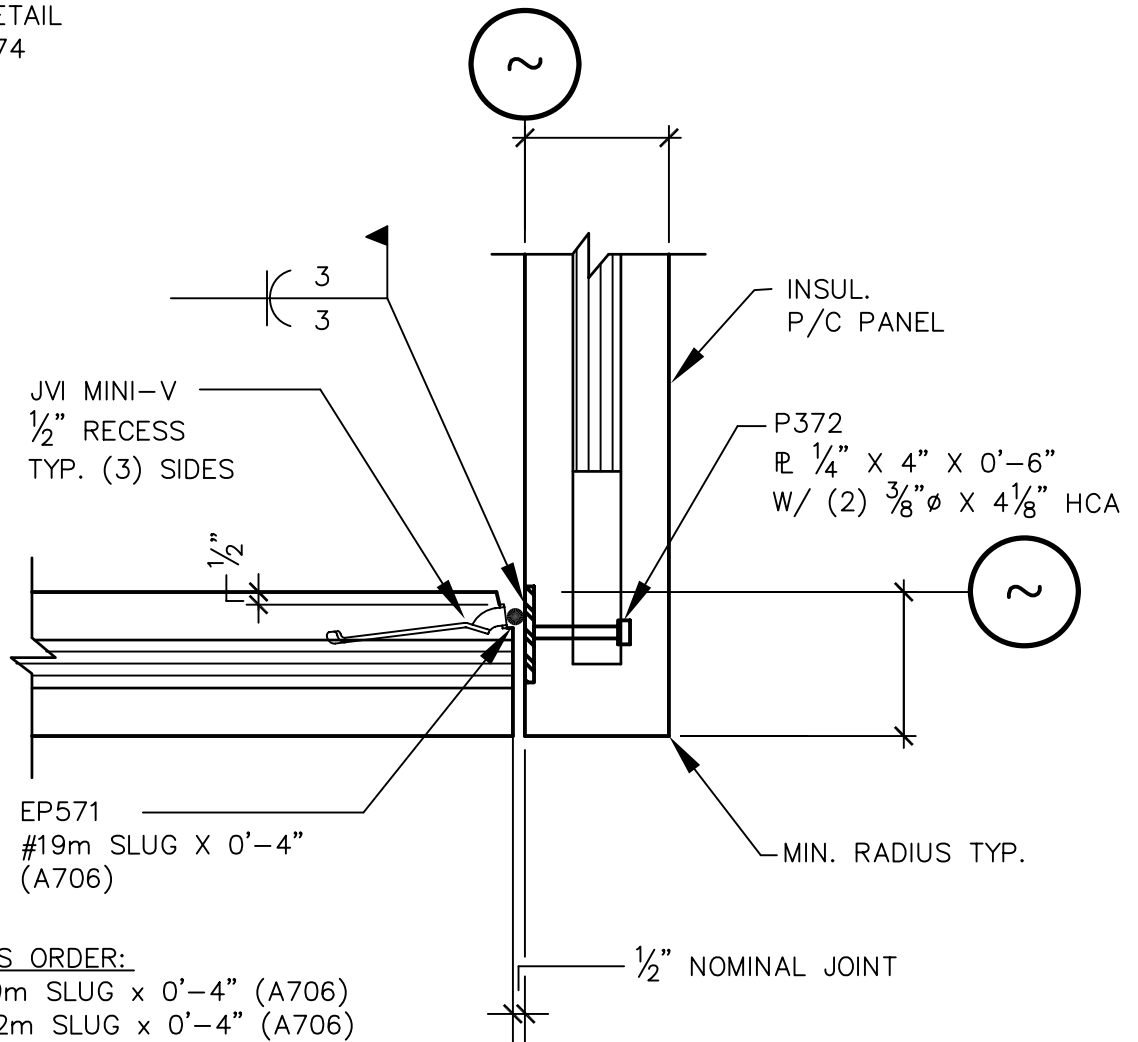
DWN. BY  
STAFF

DATE  
02/17/06

CHK. BY  
HAG

SHEET  
D0303

ALTERNATE DETAIL  
TO DETAIL 0174



FOR 1/2" JOINTS ORDER:

- 100% EP571 #19m SLUG x 0'-4" (A706)
- 10% EP569 #22m SLUG x 0'-4" (A706)
- 10% EP576 5/8"  $\phi$  x 0'-4" (A36) SMOOTH ROD

FOR 3/4" JOINTS ORDER:

- 100% EP572 #25m SLUG x 0'-4" (A706)
- 10% EP569 #22m SLUG x 0'-4" (A706)
- 10% EP577 1 1/8"  $\phi$  x 0'-4" (A36) SMOOTH ROD

303  
E00