



2802 WHITE HORSE ROAD
GREENVILLE, SOUTH CAROLINA 29611
(864) 295-0295

PROJECT

DT TO DT FLANGE CONNECTION
ROOF OR FIELD TOPPED

JOB NO.

DATE

11/24/03

DWN. BY

STAFF

DATE

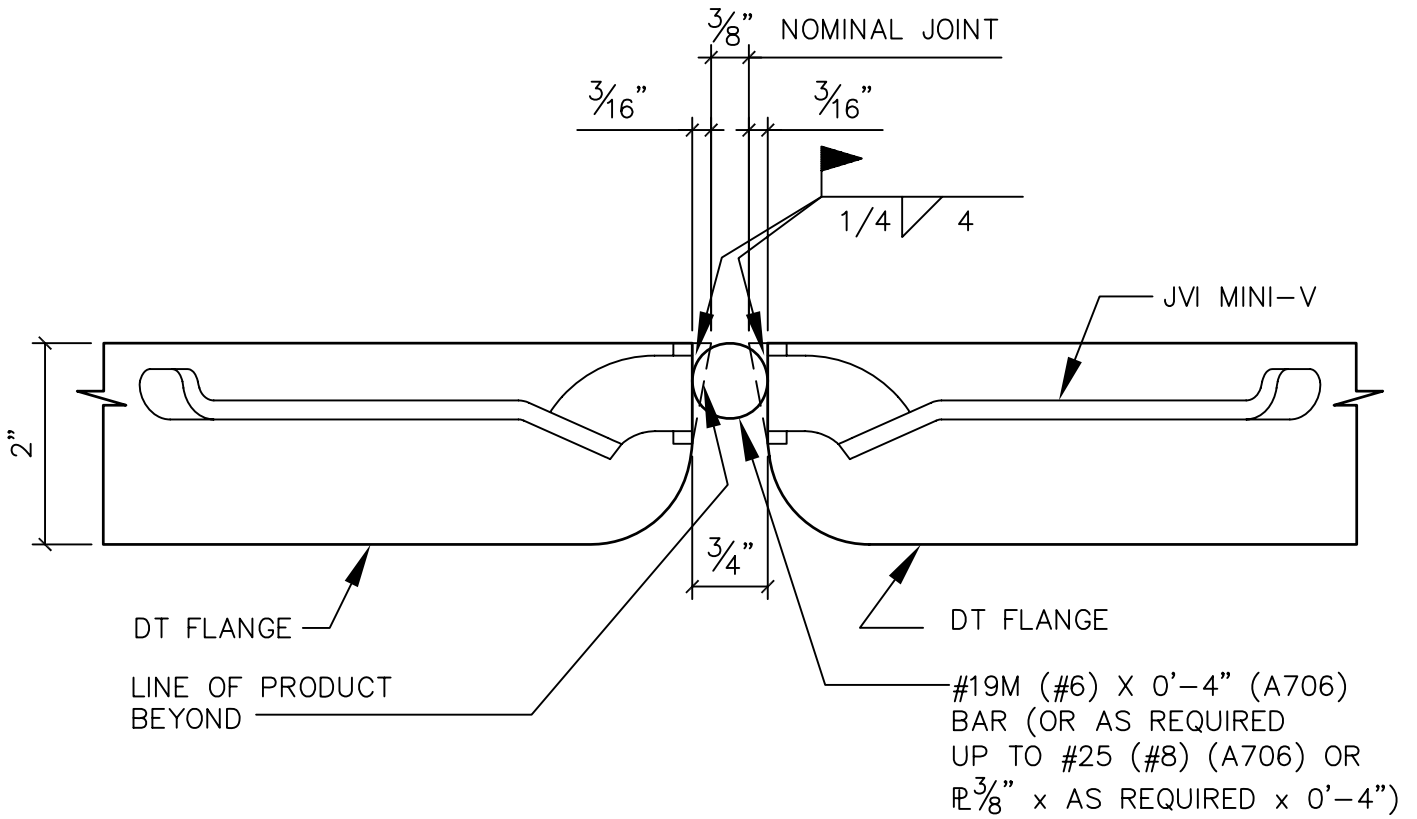
02/17/06

CHK. BY

HAG

SHEET

D0306



306
E00