



2802 WHITE HORSE ROAD
GREENVILLE, SOUTH CAROLINA 29611
(864) 295-0295

PROJECT

8" PANEL TO PANEL - STACKED
W/#13M PROJ

JOB NO.

STD

DATE

01/04/05

DWN. BY

STAFF

DATE

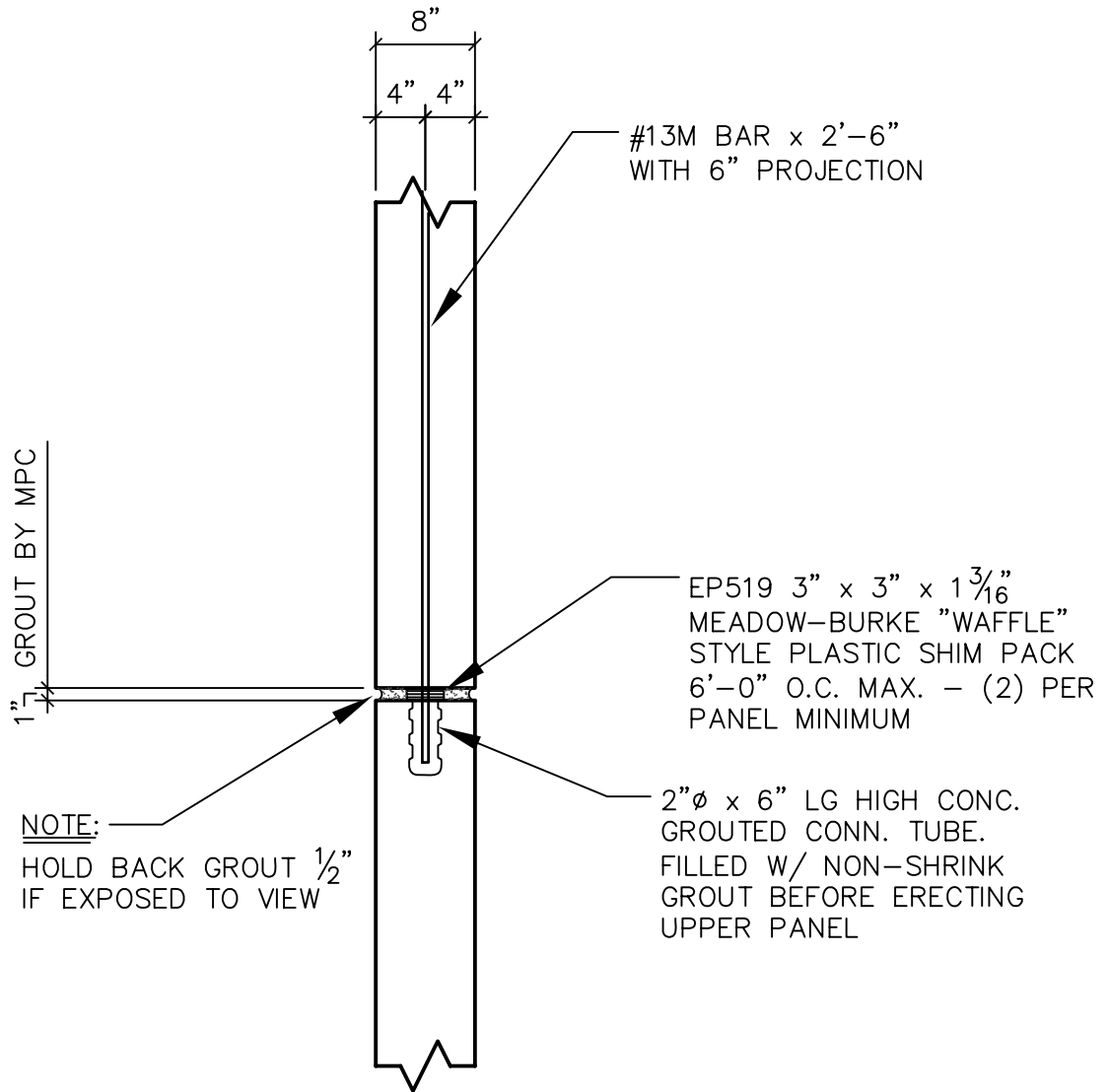
02/17/06

CHK. BY

HAG

SHEET

D0400



400
E00