



2802 WHITE HORSE ROAD  
GREENVILLE, SOUTH CAROLINA 29611  
(864) 295-0295

PROJECT 12" SHEARWALL W/HIGH TENSION CONN.  
FORM SAVERS FOR #29M

JOB NO.  
STD

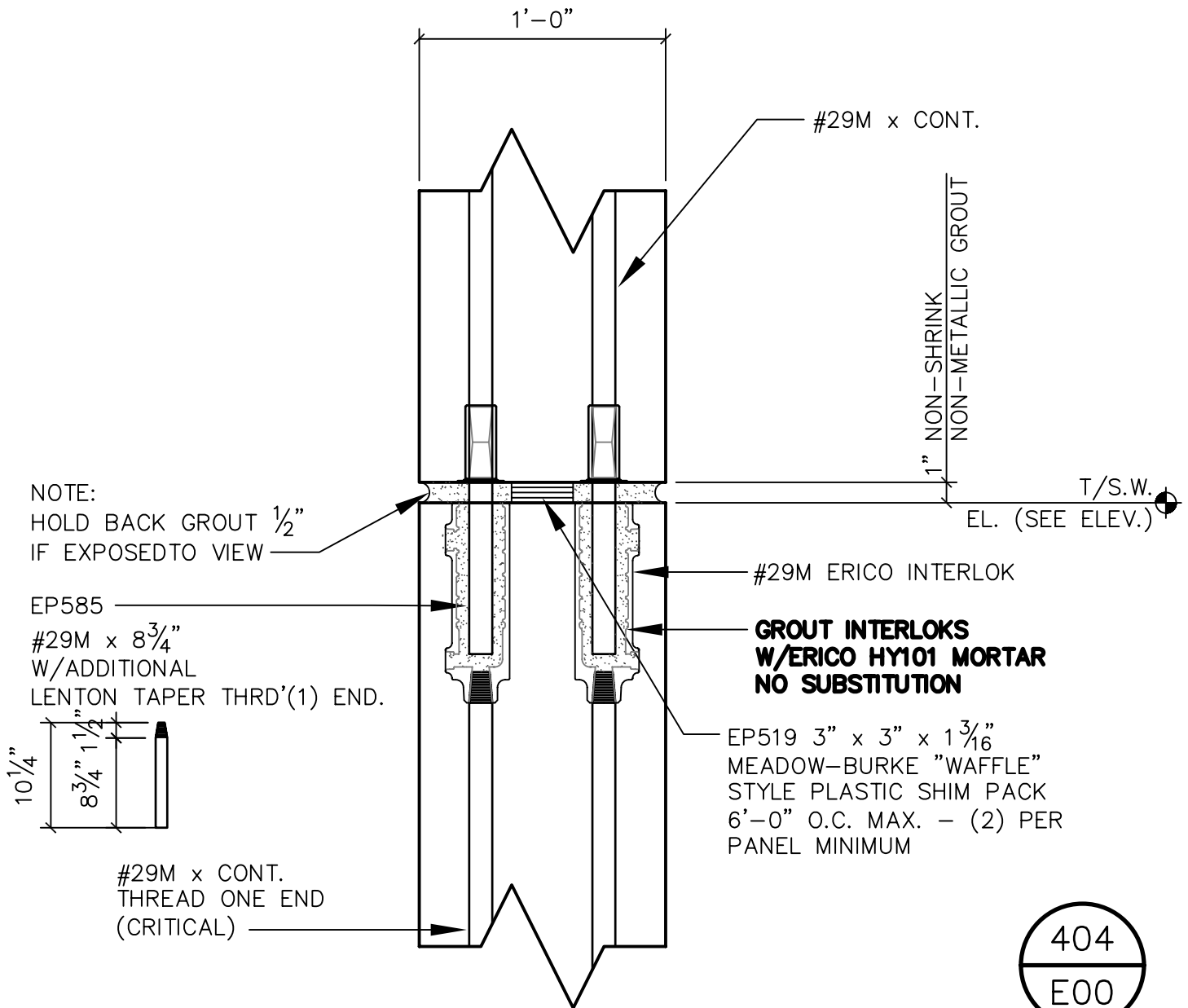
DATE  
01/04/05

DWN. BY  
STAFF

DATE  
02/17/06

CHK. BY  
HAG

SHEET  
D0404



404  
E00