



2802 WHITE HORSE ROAD  
GREENVILLE, SOUTH CAROLINA 29611  
(864) 295-0295

PROJECT 12" SHEARWALL W/ HIGH TENSION CONN.  
W/#29 PROJ

JOB NO.  
STD

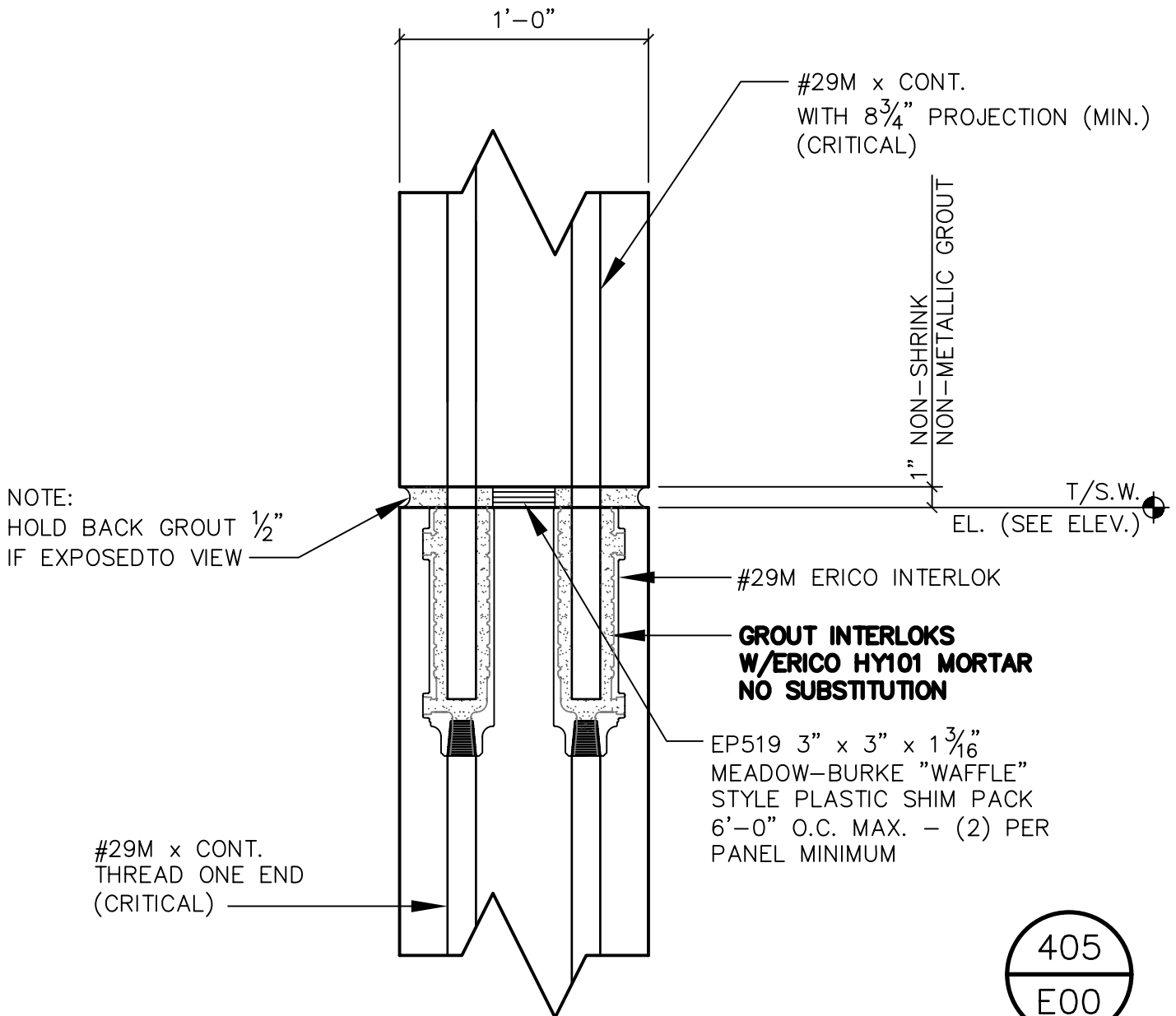
DATE  
01/04/05

DWN. BY  
STAFF

DATE  
02/17/06

CHK. BY  
HAG

SHEET  
D0405



405  
E00

MPC\_8 1/2" x 11" Detail